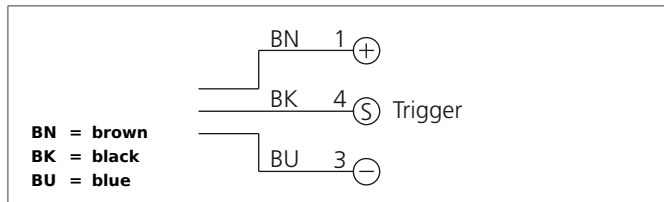


BEK 1-P14-G1TI-IBS Spotlight

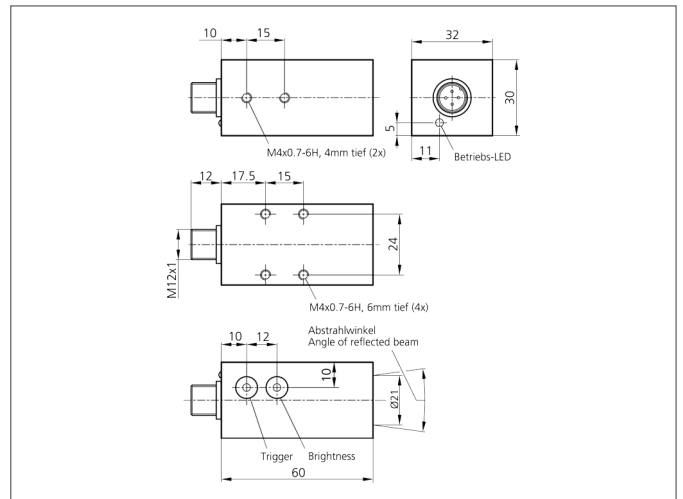
- Constant level of light intensity over the entire voltage range
- Uniform luminous field
- External trigger input
- Internal control of power output
- High efficiency
- Low levels of heat produced
- Light intensity can be adjusted
- Sturdy housing design



Safety instructions

The Instruments are not to be used for safety applications, in particular applications in which safety of persons depends on proper operation of the instruments.

These instruments shall exclusively be used by qualified personnel.
Repair only by di-soric.



TECHNICAL INFORMATION	+20°C, 24V DC
Design	Spotlight
Characteristics	Internal control of power output, Trigger input
Light colour	Red, 625 nm
Emission angle	14°
Service voltage	10 ... 35 V DC
Light outlet	axial
Trigger input low level	0 ... <2,8 V
Internal power consumption	max. 260 mA, (10 V DC)
Power	3,0 W (10...35 V DC)
Shock-/vibration load	10 ... 55 Hz / 1 mm / 30 gn
Display	LED: green - operation indicator
On-delay time (Trig.)	0,376 ms
Switch off delay (Trig.)	0,071 ms
Ambient temperature	0 ... +50 °C
Protection class	IP 67
Casing material	Aluminium black anodized
Connection	Connector, M12, 3-poled