

Linear-Transducer LMPS34 - SSI

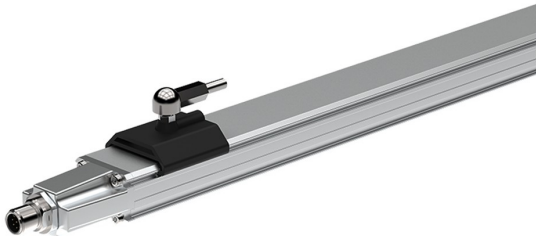
Ref.: K-LMPS34-SSI-1

04.09.2019

0102011034

Advantages

- Flexible programming
- Further interfaces available
- Measures linear movements
- Position value - Adjustment
- Profile housing
- Simple integration



General Data

Supply	
- Supply voltage	24 VDC, -20...+10 %
Current consumption no load	<= 100 mA
Measuring principle	magnetostrictive
Measuring length, standard	50...3000 mm
Resolution	0.01 mm
Linearity deviation	<= ± 0.015 % FS (min ± 50 µm)
Reproducibility	<= ± 0.005 % FS (min ± 10 µm)
Characteristics - Validity	using original TR Magnets
Straight line velocity	no restrictions
Mounting position	no restrictions
Material - Measuring body	Aluminium extruded profile
Magnet	Slider
	other on request
SSI - Interface	
- SSI-Clock input	Optocoupler
- SSI-Data output	RS-422, 2-wire
- SSI-Clock frequency	95...1000 kHz
- SSI-Mono time, typically	20 µs
Parameter/Function, changeable	Resolution
	Output code

Subject to change.

TR-Electronic GmbH
 Eglshalde 6
 78647 Trossingen
 Tel. +49 (0) 7425 228-0
 info@tr-electronic.de
www.tr-electronic.de

Linear-Transducer LMPS34 - SSI

Ref.: K-LMPS34-SSI-1

04.09.2019

0102011034

General Data continuation

	Adjustment - Parameter
	Counting direction
Type of parametrization	programmable
Programming - Tool	TR-Soft: TRWinProg
Cycle time internal, <= 1.00 m	0.50 ms
Cycle time internal, <= 1.50 m	0.75 ms
Cycle time internal, <= 2.00 m	1.00 ms
Cycle time internal, <= 3.00 m	1.50 ms

Environmental conditions

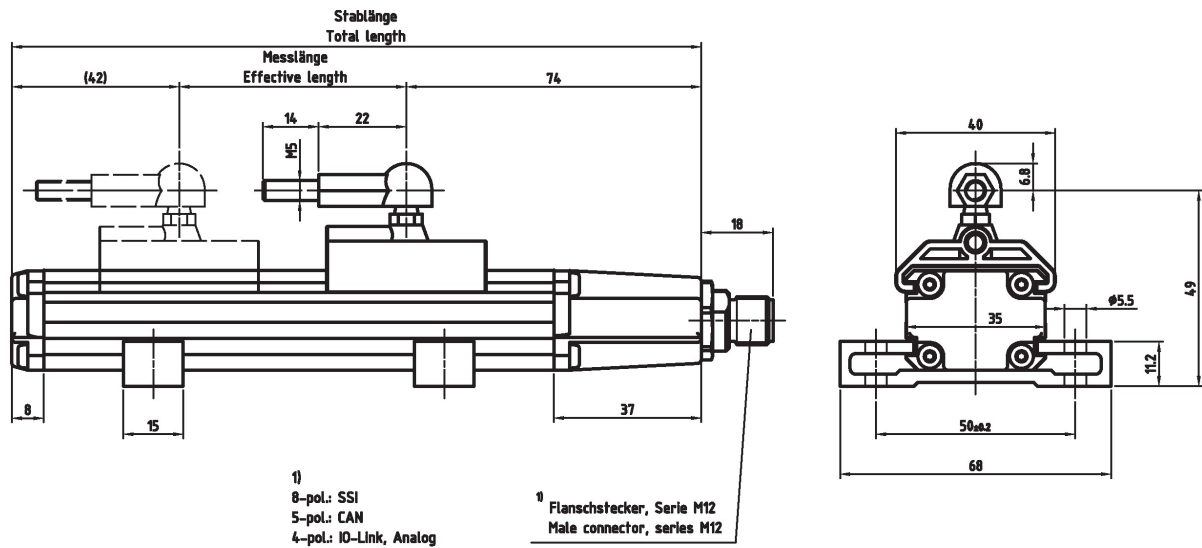
Vibration	DIN EN 60068-2-6
- Specific value	<= 100 m/s ²
- Sine	50...2000 Hz
Shock	DIN EN 60068-2-27
- Specific value	<= 1000 m/s ²
- Half sine	11 ms
Immunity to disturbance	DIN EN 61000-6-2
Transient emissions	DIN EN 61000-6-3
Working temperature	
- Standard	-40...+80 °C
Storage temperature, dry	-40...+85 °C
Relative humidity	98 %, non condensing
Protection class	
- Standard	IP67

Subject to change.

Linear-Transducer LMPS34 - SSI

Ref.: K-LMPS34-SSI-1
 04.09.2019
 0102011034

Dimensional drawing



Subject to change.

TR-Electronic GmbH
 Eglshalde 6
 78647 Trossingen
 Tel. +49 (0) 7425 228-0
 info@tr-electronic.de
www.tr-electronic.de

Linear-Transducer LMPS34 - SSI

Ref.: K-LMPS34-SSI-1

04.09.2019

0102011034

Suggested products

LMPS_34*200 SSI

345-00002

Subject to change.