

OF50 INSTRUCTION MANUAL

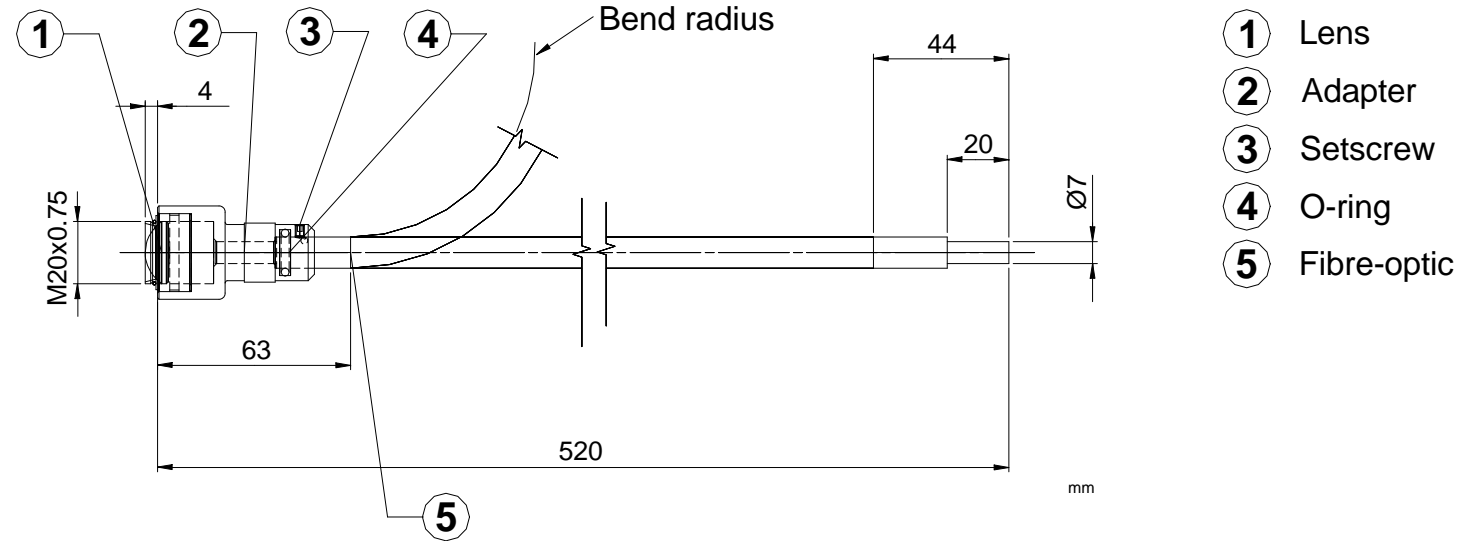
The OF50 fibre-optic is an accessory for the LD μ luminescence detector series.

INSTALLATION

To install the OF50 proceed as follows:

- Disconnect the power supply of the sensor.
- Replace the sensor lens with the fibre adapter.
- Insert the fibre-optic into the adapter; the first insertion resistance is due to the O-ring seal; please continue to insert the fibre until it reaches the mechanical stop.
- Fix the fibre-optic to the adapter using the setscrew wrench included in the package.

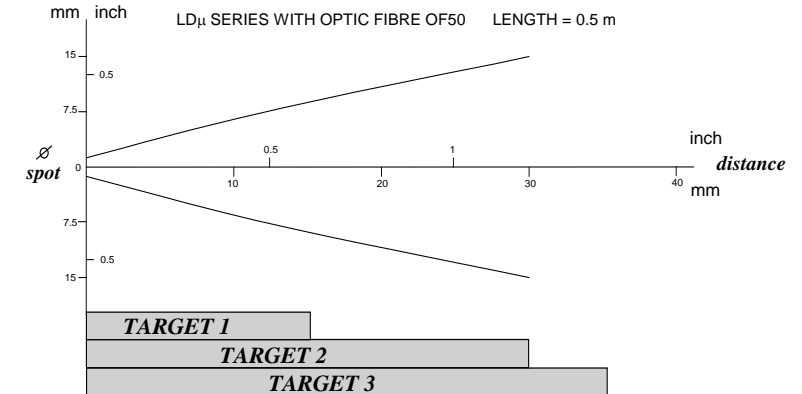
The fibre is made of a liquid solution enclosed in a plastic covering; for a correct functioning of the fibre the bend radius must be greater than 60mm; don't twist or stretch the fibre.



TECHNICAL DATA

Operating and storage temperature:	-5 ... +60°C
Covering material:	Plastic
Tip material:	Brass Chrome plated
Adapter material:	Aluminium anodized
Bend radius:	Minimum 60mm
Protection class:	IP64
Weight:	100 g.

READING DIAGRAM



WARRANTY

DATALOGIC AUTOMATION warrants its products to be free from defects. DATALOGIC AUTOMATION will repair or replace, free of charge, any product found to be defective during the warranty period of 36 months from the manufacturing date. This warranty does not cover damage or liability deriving from the improper application of DATALOGIC AUTOMATION products.

DATALOGIC AUTOMATION

Via Lavino 265 - 40050 Monte S.Pietro - Bologna - Italy
Tel: +39 051 6765611 - Fax: +39 051 6759324

www.automation.datalogic.com e-mail:info.automation@datalogic.com



DATALOGIC AUTOMATION cares for the environment: 100% recycled paper.
DATALOGIC AUTOMATION reserves the right to make modifications and improvements without prior notification.

Datalogic and the Datalogic logo are registered trademarks of Datalogic S.p.A. in many countries, including the U.S.A. and the E.U.

826000503 Rev.C © Copyright Datalogic 2006-2010