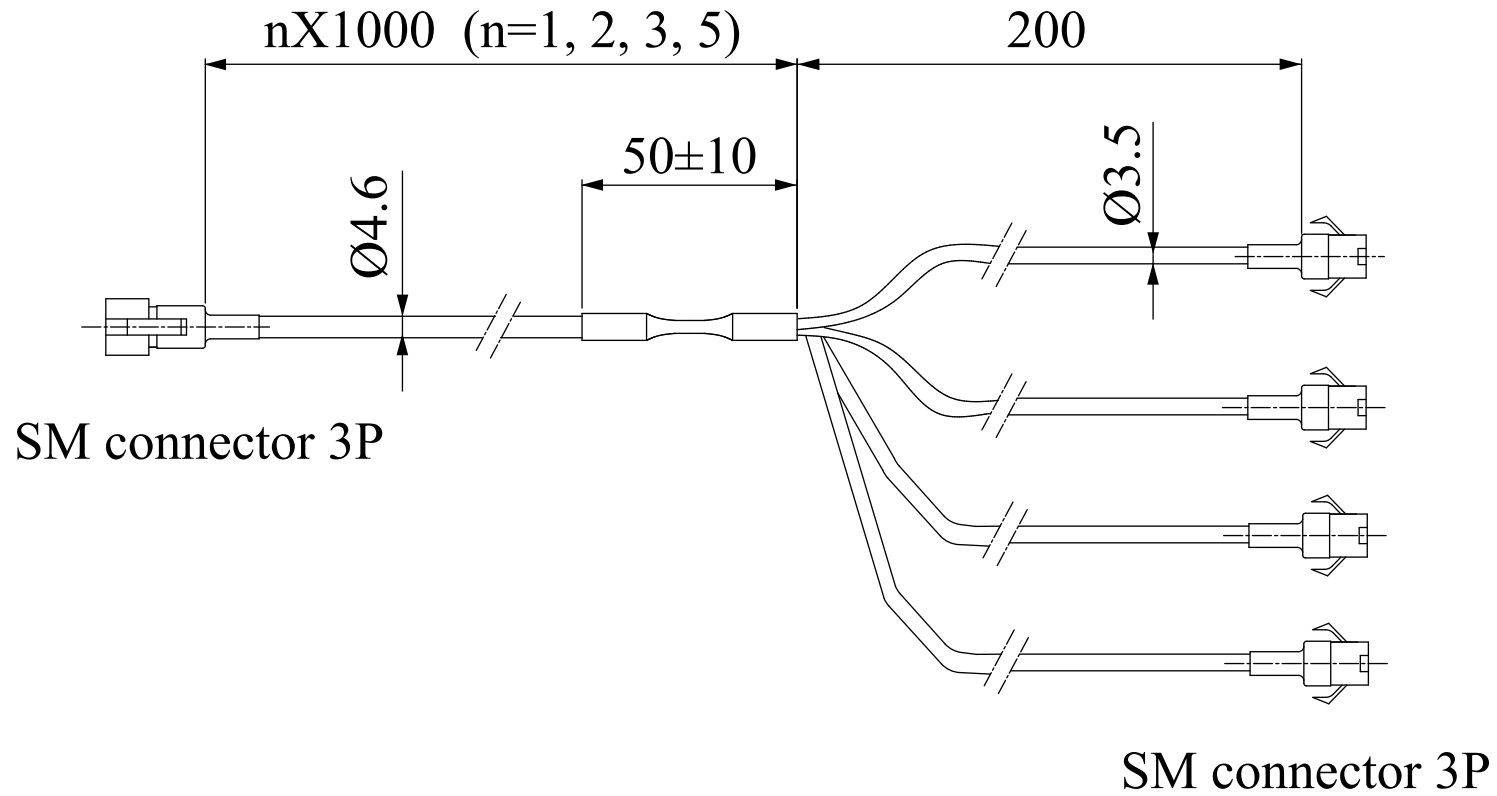


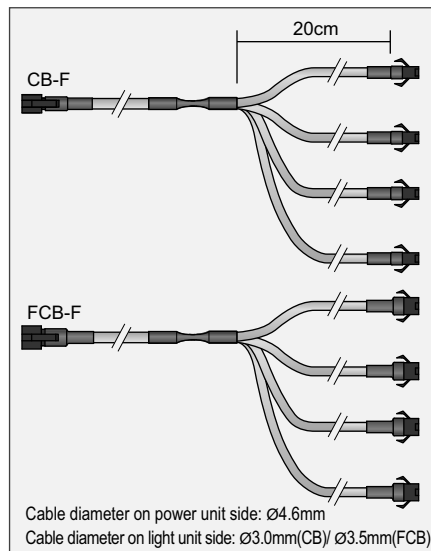
# FCB-F-n (n=1, 2, 3, 5)

Third Angle Projection Units: mm



## Branch Cables

Use a branch cable when you need to connect several lights to one power unit.



2-branch 12V	CB-W-1	Used to connect 12-V lights to a power unit. One channel for the power unit and two channels for the lights. Branch ends: 20 cmX2.	Cable length: 1m
	CB-W-2		Cable length: 2m
	CB-W-3		Cable length: 3m
	CB-W-5		Cable length: 5m
2-branch 24V	FCB-W-1	Used to connect 24-V lights to a power unit. One channel for the power unit and two channels for the lights. Branch ends: 20 cmX2.	Cable length: 1m
	FCB-W-2		Cable length: 2m
	FCB-W-3		Cable length: 3m
	FCB-W-5		Cable length: 5m
4-branch 12V	CB-F-1	Used to connect 12-V lights to a power unit. One channel for the power unit and four channels for the lights. Branch ends: 20 cmX4.	Cable length: 1m
	CB-F-2		Cable length: 2m
	CB-F-3		Cable length: 3m
	CB-F-5		Cable length: 5m
4-branch 24V	FCB-F-1	Used to connect 24-V lights to a power unit. One channel for the power unit and four channels for the lights. Branch ends: 20 cmX4.	Cable length: 1m
	FCB-F-2		Cable length: 2m
	FCB-F-3		Cable length: 3m
	FCB-F-5		Cable length: 5m

\* Total power consumption of the connected illuminations should not exceed the output of the power source. In addition, if you wish to set light levels separately for each illumination, use a multi-channel power source.