

## Linear-Transducer LP38 - ASI

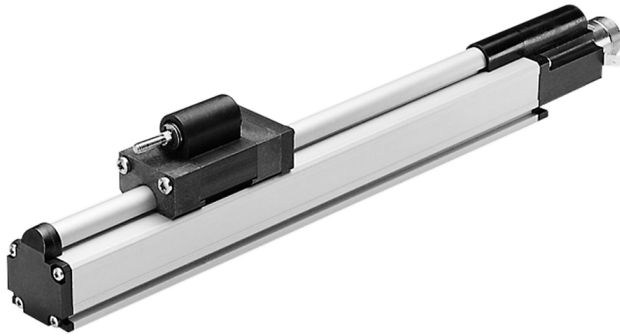
Ref.: K-LP38-ASI-1

14.11.2013

0102010120

### Advantages

- \_ Measures linear movements
- \_ Profile housing
- \_ Simple integration
- \_ Wear-free detection



### General Data

|                             |   |
|-----------------------------|---|
| Supply                      |   |
| - Supply voltage            | 24 VDC, -20...+10 %   |
| Current consumption no load | <= 250 mA   |
| Measuring principle         | magnetostrictive  |
| Measuring length, standard  | 150...3000 mm, in steps   |
| Resolution                  | 0.01 mm   |
| Output capacity             | <= 20 Bit   |
| Linearity deviation         | < 0.05 %  |
| Reproducibility             | 0.01 mm   |
| Hysteresis                  | 0.1 mm  |
| Temperature coefficient     | < 8 $\mu\text{m}/^\circ\text{C}$ <= 500 mm<br>< 15 ppm/ $^\circ\text{C}$ > 500 mm |
| Straight line velocity      | no restrictions   |
| Mounting position           | no restrictions   |
| Material - Measuring body   | Aluminium extruded profile  |
| Magnet                      | T4-U3820<br>other on request  |
| ASI - Interface             |   |
| - Data transmission         | RS-422, 2-wire  |
| - Protocol                  | on request  |
| - Sign format               | 1 ST, 7 DA, 1 P even, 2 STOP  |

Subject to change.

TR-Electronic GmbH  
Eglisshalde 6  
78647 Trossingen  
Tel. +49 (0) 7425 228-0  
info@tr-electronic.de  
[www.tr-electronic.de](http://www.tr-electronic.de)

# Linear-Transducer LP38 - ASI

Ref.: K-LP38-ASI-1

14.11.2013

0102010120

## General Data continuation

|                      |                         |
|----------------------|-------------------------|
| - Data format        | ASCII                   |
| - Sign               | 7: 6 POS + CR (0x0D)    |
| Transmission rate    |                         |
| - Specific value     | 4.8 kbit/s              |
| Cycle time, internal | see dimensional drawing |
| External inputs      |                         |
| - F/R                | Count direction         |
| - Preset             | electronic adjustment   |
| - Logic level        | "0" < +2V, "1" = Supply |

## Environmental conditions

|                          |                           |
|--------------------------|---------------------------|
| Vibration                |                           |
| - Specific value         | $\leq 100 \text{ m/s}^2$  |
| - Sine                   | 50...2000 Hz              |
| Shock                    |                           |
| - Specific value         | $\leq 1000 \text{ m/s}^2$ |
| - Half sine              | 11 ms                     |
| Immunity to disturbance  | DIN EN 61000-6-2          |
| Transient emissions      | DIN EN 61000-6-3          |
| Working temperature      |                           |
| - Standard               | 0...+70 °C                |
| - Optional               | -20...+70 °C;             |
| Storage temperature, dry | -30...+80 °C              |
| Relative humidity        | 98 %, non condensing      |
| Protection class         |                           |
| - Standard               | IP65                      |
| Stray magnetic field     | < 3 mT                    |
| Measuring reference      | Measuring plane           |

Subject to change.

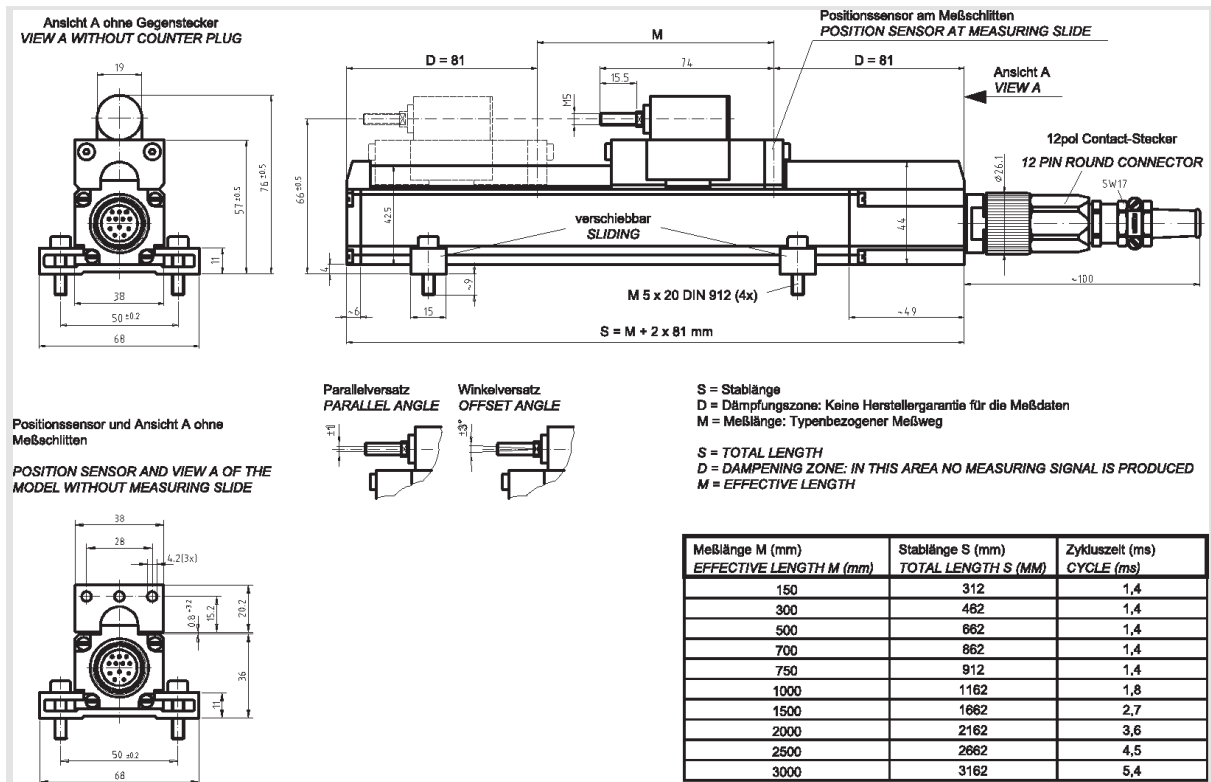
# Linear-Transducer LP38 - ASI

Ref.: K-LP38-ASI-1

14.11.2013

0102010120

## Dimensional drawing



Subject to change.