

LASER M18 Photoelectric sensor



FBL series



Micro Detectors



Italian Sensors Technology

FinMasi Group Company



04/09/2019

Strictly confidential – All rights reserved to M.D. Micro Detectors S.p.A

LASER M18 Photoelectric sensor



PRODUCT HIGHLIGHTS



Same performance as actual FAL series
Complementary outputs (NO+NC)
Metallic housing
PMMA lens material
M12 output connector

Diffuse 300mm
RRX Polarized 30m
Thru-beam 50m



Laser M18 Photoelectric sensors

Diffuse



Polarized



Thru-beam

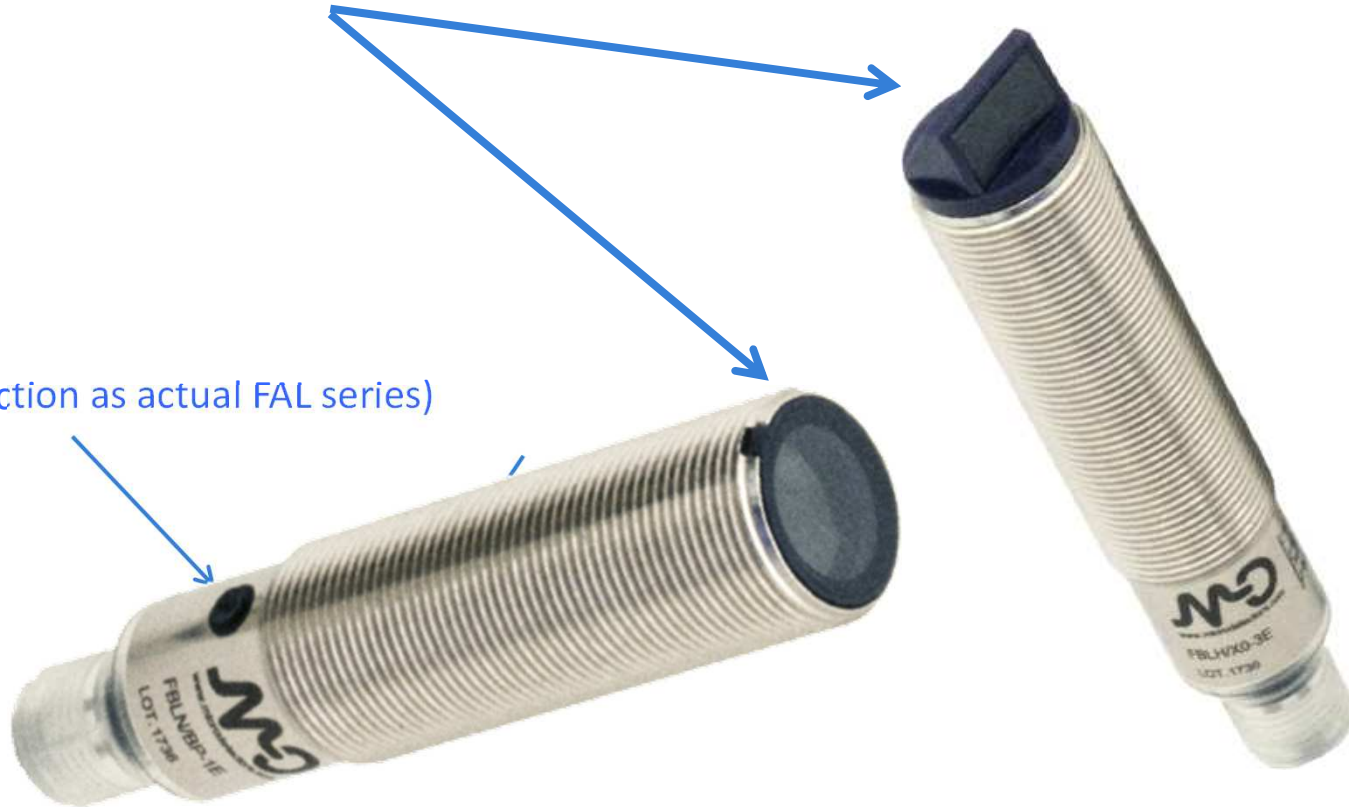


Laser M18 Photoelectric sensors



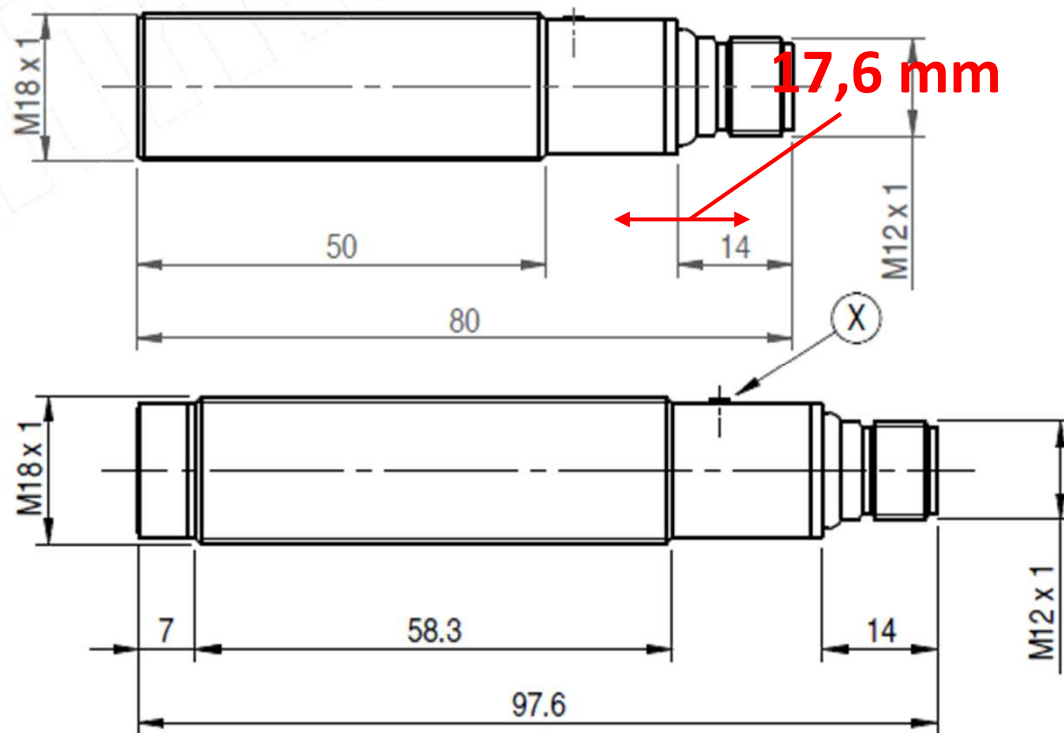
NEW OPTICAL HEAD!!
(the same «philosophy» as background suppression)

TEACH-IN
(same function as actual FAL series)



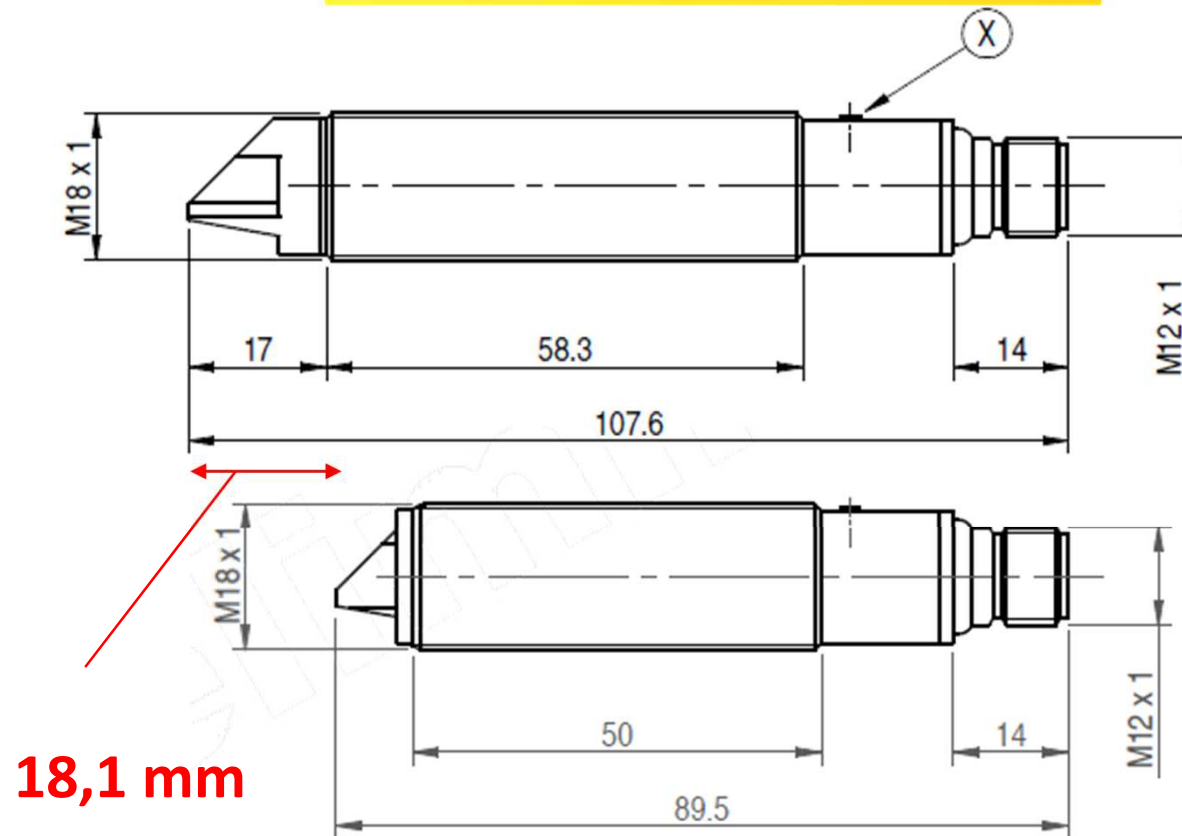
Laser M18 Photoelectric sensor

AXIAL MODELS



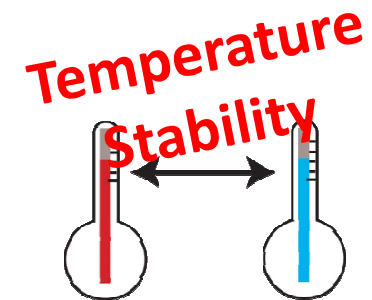
Laser M18 Photoelectric sensors

RIGHT ANGLE MODELS



Laser M18 Photoelectric sensors

**NEW TEACH
FEELING**



**LASER
MARKING**



