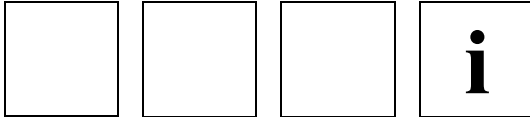


Rope length transmitter SL3002 ATEX

Eglshalde 6
D-78647 Trossingen
Tel. +49 - (0) 74 25 / 228 - 0
Fax +49 - (0) 74 25 / 228 - 33
<http://www.tr-electronic.de>
Germany



- Available with or without encoder
- With explosion protection ATEX
- Compact design
- Cable eye with ball joint (removable) compatible to previous model
- Backlash free encoder coupling
- Robust spring drive
- High life time approx. 1 mio. cycles
- Simple assembly encoder-cable retractor

Characteristics

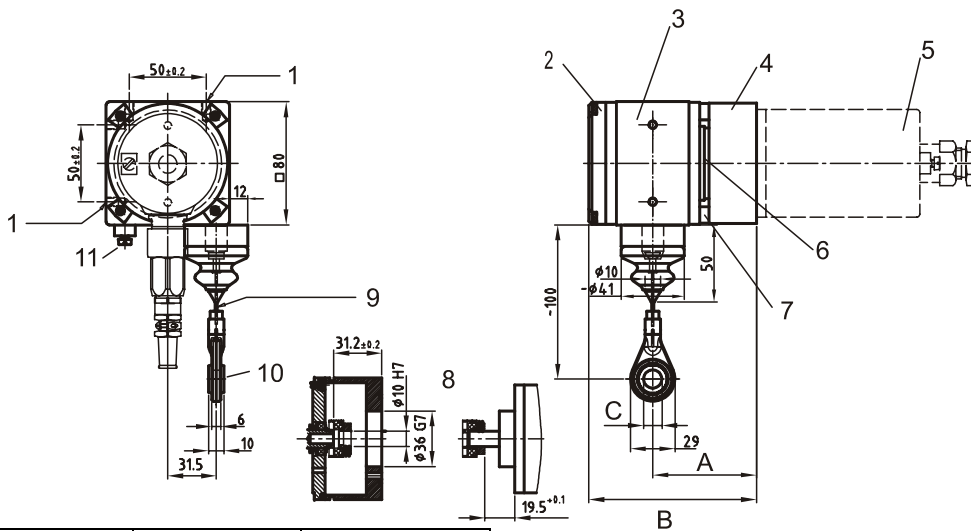
Case design □ 80 mm
Gear ratio 5 rev./m ± 0,06 mm/rev.
Measuring cylinder material Aluminium anodized 3.3206.71 ALMgSi0.5F22
Spring drive material Plastic
String material Stainless steel 1.4401 X5 CrNiMo 18 10
String bending radius R..... ≥ 16 mm
Linearity deviation typ. ± 0,05
Reproducibility..... 0,1 mm
Life time..... typ. 1 Mio. cycles
Explosion protection class II 2 G/D EEx de IIC T6; PTB 03 ATEX 1051
group II category 2 zone 1 and category 3 zone 2

Types	SL 3002			
Article no.	40722003			
Weight app. in kg	1,6			
Measuring length in m	2			
Leader length	0,05m			
String diameter in mm	1,35			
Adjusting speed	2 m/s			
Spring tension start	7N			
Spring tension end	14N			
Bellows	yes			
Position string see. Dimension Drawing	right			
Explosion protection	ATEX			

Environmental conditions

Vibration	≤ 100 m/s ² (10g) sine 50-2000 Hz acc. DIN IEC 68-2-6
Shock.....	≤ 250m/s ² (25g) 11ms acc. DIN IEC 68-2-27
Operating temperature	-20°C ... 70°C
Storage temperature.....	-30°C ... +85°C dry
Relative humidity	98 % non condensing
Packaging.....	compliant DIN 55439
Protection class	IP 65 compliant DIN 40 050

Dimension drawing



40722003			
A	67,3		
B	108,8		
C	without ball joint \varnothing 20,2 with ball joint \varnothing 12H11		
1	4x M6x8 deep	7	Clamping brackets
2	Spring drive	8	Distance size of the coupling
3	Measuring cylinder	9	String
4	Mounting flange	10	Removable ball-joint
5	Explosion protection housing incl. Encoder	11	Grounded wire terminal
6	Backlash free coupling		