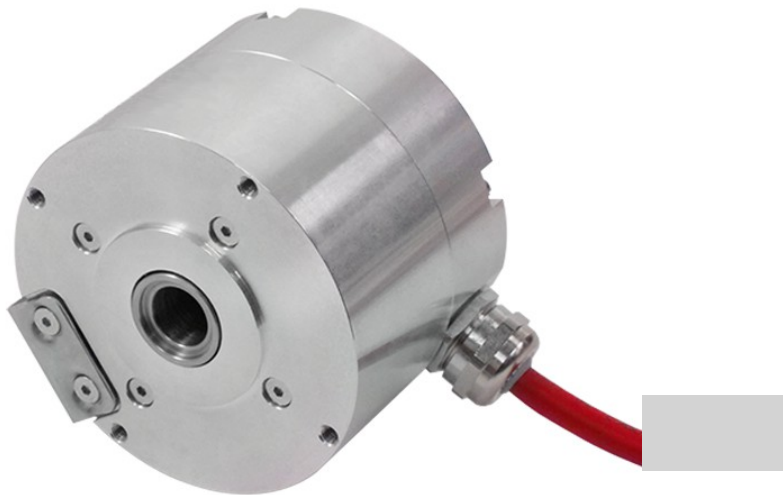


Incremental-Encoder IS99



Ref.: K-IS99-INK-1
18.07.2014
010101009999999999

Advantages

- _ Factory parametrization
- _ Heavy machine industries
- _ High shock resistance
- _ High vibration resistance
- _ Shaft is isolated

General Data

Supply	
- Supply voltage	11...30 VDC
Current consumption no load	<= 120 mA
Signal form	Square
Incremental signals, square	
- Channels	K1+ K1- K2+ K2-
- Phase position, electrically	90 °
Zero pulse	
- Channel (Channels)	K0+ K0-
- Number of revolutions	1x
Impulses, square wave	1024
	2048
	4096
	8192
	16384
	32768
Output driver, HTL	
- Output level	Push-Pull, supply voltage
- Load current	<= 30 mA
- Output frequency	<= 150 kHz, ± 15 °
Parameter/Function, changeable	Number of pulses
Type of parametrization	Factory setting

Subject to change.

TR-Electronic GmbH
Eglshalde 6
78647 Trossingen
Tel. +49 (0) 7425 228-0
info@tr-electronic.de
www.tr-electronic.de

Incremental-Encoder IS99

Ref.: K-IS99-INK-1
18.07.2014
010101009999999999

General Data continuation

Maximum Speed, mechanically	<= 3000 1/min
Shaft load, axial/radial	Own mass
Bearing life time	>= 10.7E+9 revolutions
Bearing life time - Parameter - Speed	3000 1/min
- Operating temperature	60 °C
Angular acceleration	<= 10E+4 rad/s ²
Moment of inertia, typically	28.6E-6 kg m ² , at Ø16 mm
Start-up torque, 20 °C	5 Ncm
Mass, typically	1.7 kg

Environmental conditions

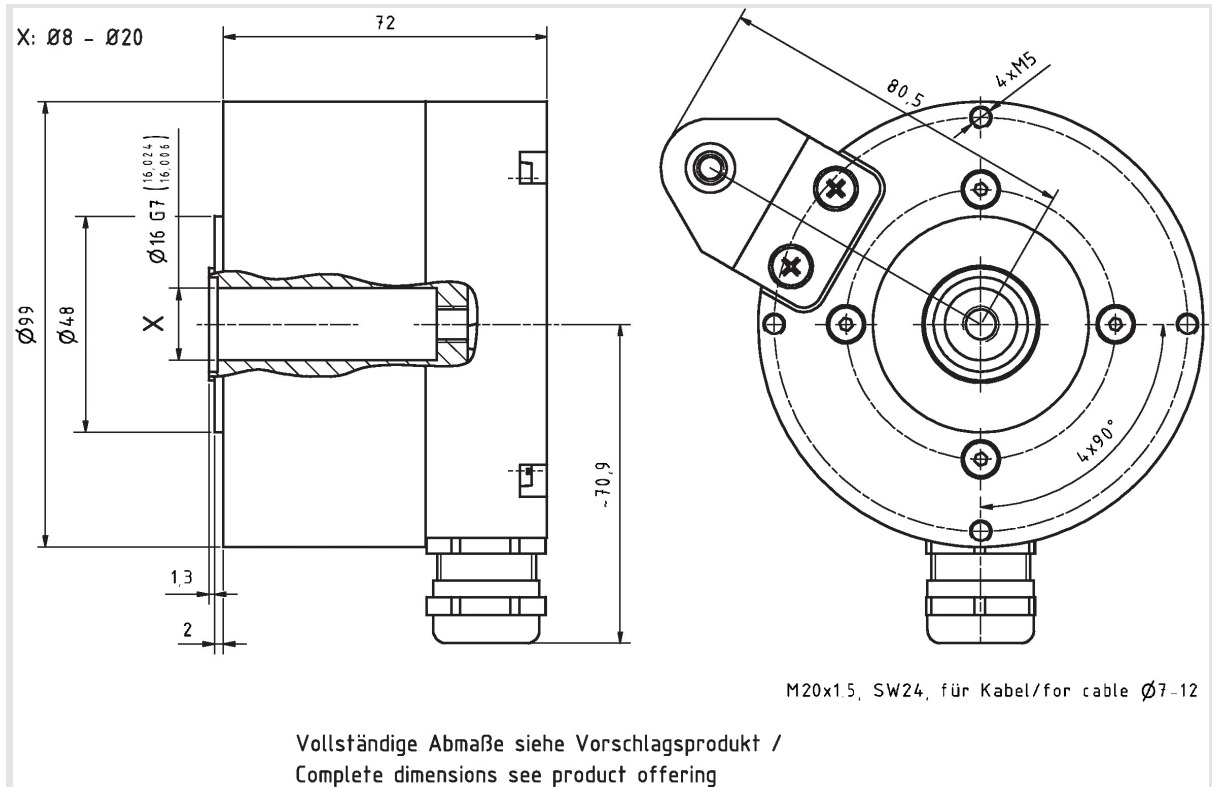
Vibration	
- Specific value	<= 250 m/s ²
- Sine	50...2000 Hz
Shock	
- Specific value	<= 1500 m/s ²
- Half sine	11 ms
Immunity to disturbance	DIN EN 61000-6-2
Transient emissions	DIN EN 61000-6-3
Protection class	
- Standard	IP67

Subject to change.

Incremental-Encoder IS99

Ref.: K-IS99-INK-1
 18.07.2014
 010101009999999999

Dimensional drawing



Subject to change.

TR-Electronic GmbH
 Eglshalde 6
 78647 Trossingen
 Tel. +49 (0) 7425 228-0
 info@tr-electronic.de
www.tr-electronic.de